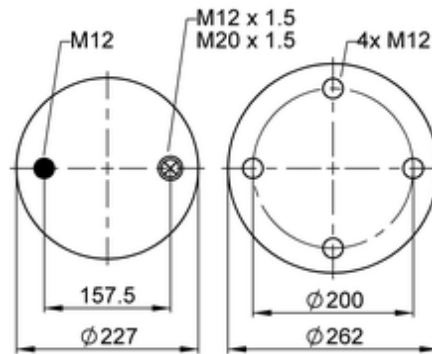
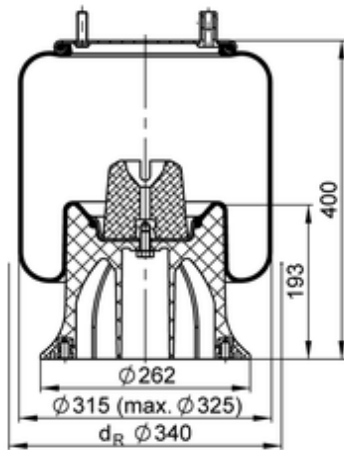


4159 N P14
64612


bolt or stud
 hole
 combination stud
 air inlet
 stud and nut

	7,3 kg
	4159 N P06
	K015
	M12: max. 70 Nm
	M20x1.5: max. 40 Nm

OE Manufacturer/Part No.

Manufacturer	Original Part No.	Model
Fruehauf	UJA 0894-001	
Montenegro		
Meritor	2121 5762	
Meritor	2121 5891	
Meritor	2122 6039	

