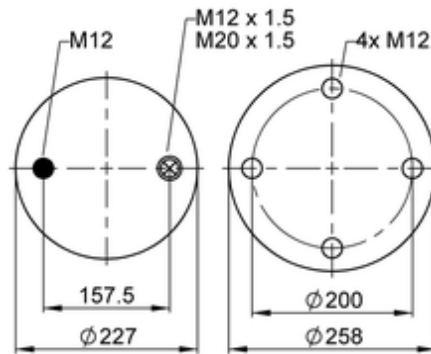
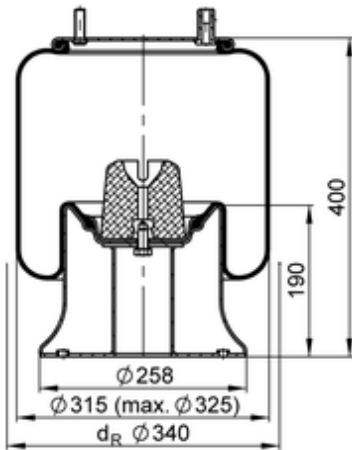


4159 N P03
72248


- bolt or stud
- hole
- combination stud
- air inlet
- stud and nut

	11,4 kg
	10002742
	K015
	M12: max. 70 Nm
	M20x1.5: max. 40 Nm

OE Manufacturer/Part No.

Manufacturer	Original Part No.	Model
SMB		
SAMRO	H2500425	
Fruehauf		