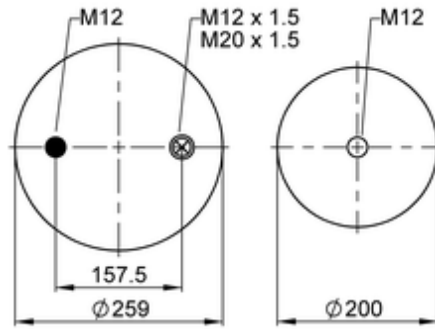
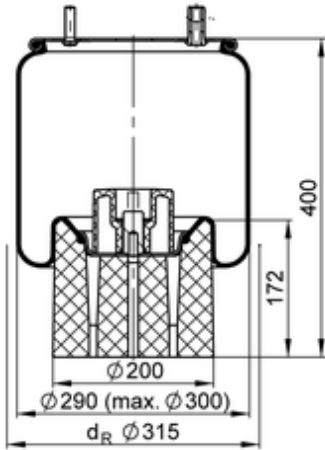


4157 N P10
66500


- bolt or stud
- hole
- combination stud
- air inlet
- stud and nut

kg	6,7 kg
	K010
	M12: max. 70 Nm
	M20x1.5: max. 20 Nm

OE Manufacturer/Part No.

Manufacturer	Original Part No.	Model
SMB	M060924	
Acerbi	800449526	
Acerbi	128140028	
Fruehauf	UJB 0975	