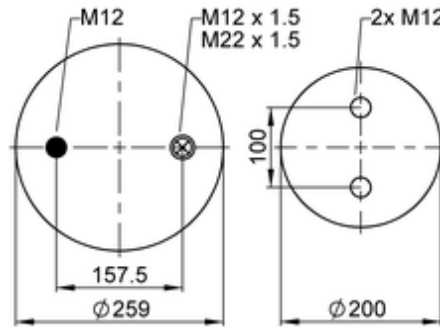
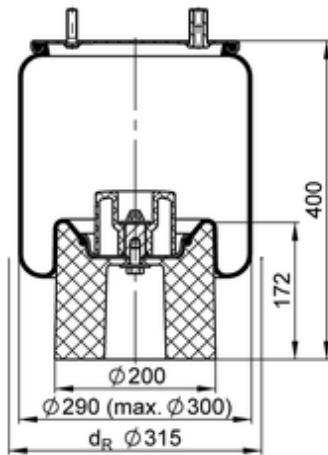


4157 N P09
66499


- bolt or stud
- hole
- combination stud
- air inlet
- stud and nut

	6,7 kg
	10086645
	K025
	M12: max. 70 Nm
	M22x1.5: max. 20 Nm

OE Manufacturer/Part No.

Manufacturer	Original Part No.	Model
Meritor	2122 2442	
Weweler	US 07074F	AC 524/514