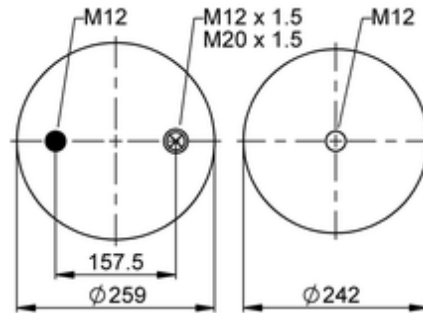
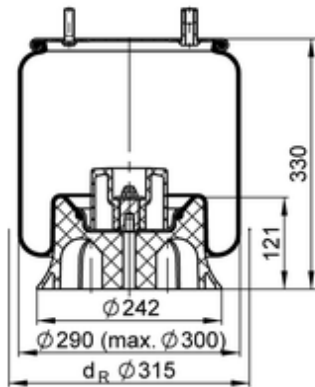


**4157 N P08**
**66497**


- bolt or stud
- hole
- combination stud
- air inlet
- stud and nut

	6,3 kg
	M12: max. 70 Nm
	M20x1.5: max. 20 Nm

**OE Manufacturer/Part No.**

Manufacturer	Original Part No.	Model
SMB	M078580	
SAMRO	H2501869	
Neway	905 572 33	