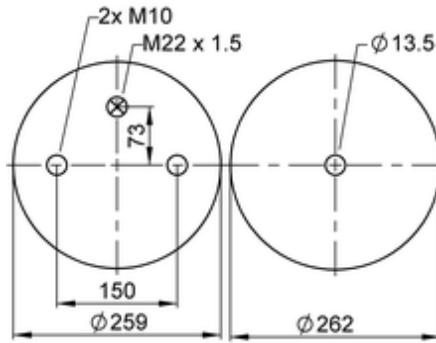
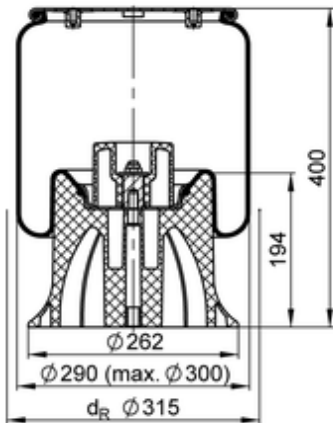


4157 N P06
66496


- bolt or stud
- hole
- combination stud
- air inlet
- stud and nut

	7,2 kg
	10086643
	K009
	M10: max. 35 Nm
	M12: max. 70 Nm
	M22x1.5: max. 20 Nm

OE Manufacturer/Part No.

Manufacturer	Original Part No.	Model
Weweler	US 06316	
Schmitz	751 065	
Scania	2198333	

