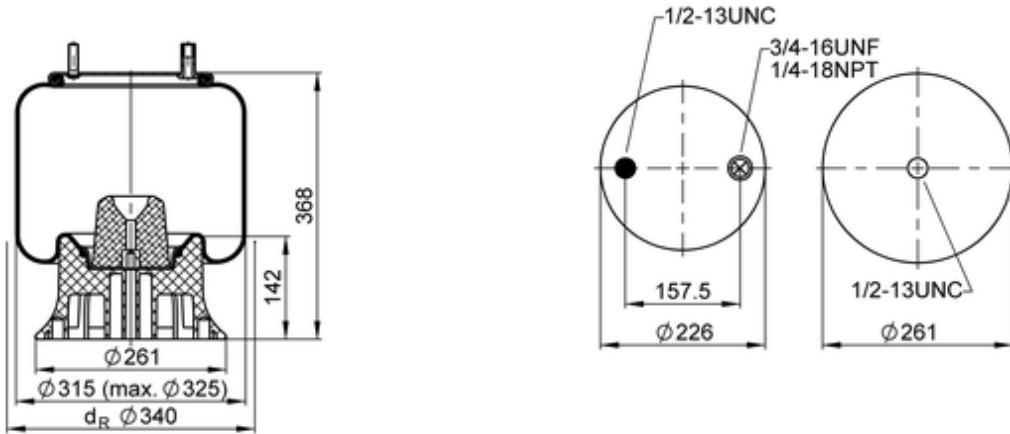


4156 N P10
64609


- bolt or stud
- hole
- combination stud
- air inlet
- stud and nut

	6,9 kg
	1/2-13 UNC: max. 70 Nm
	3/4-16 UNC: max. 40 Nm

OE Manufacturer/Part No.

Manufacturer	Original Part No.	Model
Hendrickson	HA100016	