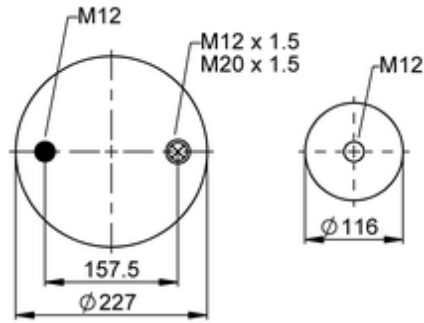
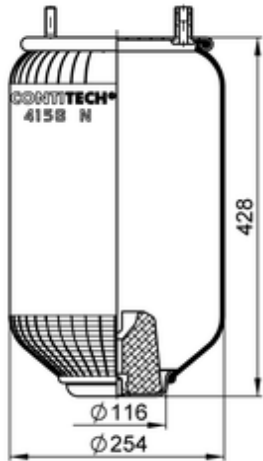


4156 N P05
72251


- bolt or stud
- hole
- combination stud
- air inlet
- stud and nut

	4,6 kg
	10002745
	M12: max. 70 Nm
	M20x1.5: max. 40 Nm

OE Manufacturer/Part No.

Manufacturer	Original Part No.	Model
SMB		Service Assembly