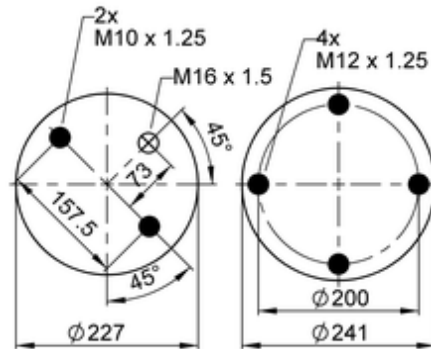
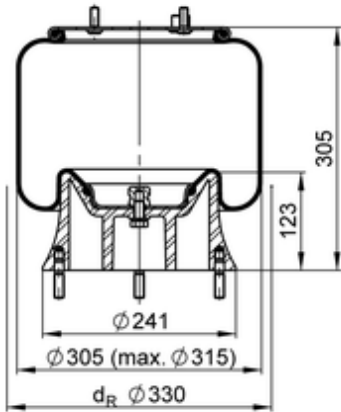


**4154 N P05**
**67723**


- bolt or stud
- hole
- combination stud
- air inlet
- stud and nut

kg	6,2 kg
	10086793
	M10x1.25: max. 30 Nm
	M12x1.25: max. 70 Nm
	M16x1.5: max. 80 Nm

**OE Manufacturer/Part No.**

Manufacturer	Original Part No.	Model
Renault	5.010.488.071	Premium. Magnum
Renault	5.010.239.252	Premium. Magnum