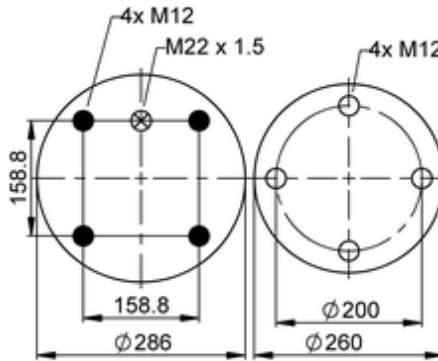
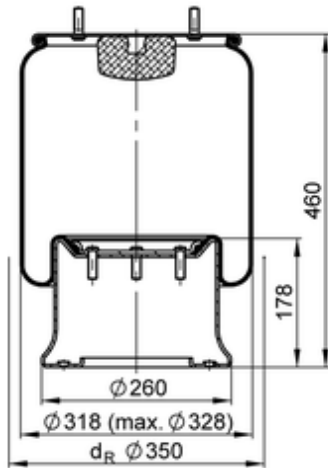


4028 N P05
72303


- bolt or stud
- hole
- combination stud
- air inlet
- stud and nut

	13,3 kg
	10002775
	K002
	M12: max. 70 Nm
	M22x1.5: max. 20 Nm

OE Manufacturer/Part No.

Manufacturer	Original Part No.	Model
Meritor	2122 2239	