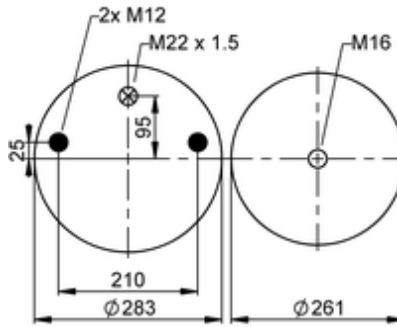
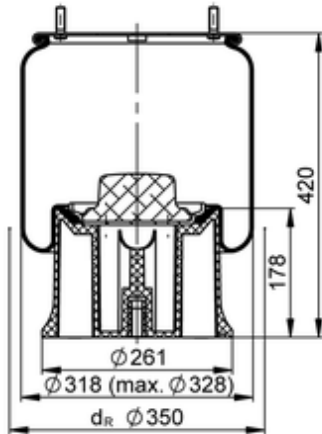


4023 N P12
601494


- bolt or stud
- hole
- combination stud
- air inlet
- stud and nut

	10,1 kg
	10087443
	M12: max. 70 Nm
	M16: max. 70 Nm
	M22x1.5: max. 20 Nm

OE Manufacturer/Part No.

Manufacturer	Original Part No.	Model
SAF - Holland	2924V	
SAF - Holland	03229004100	
SAF - Holland	3.229.0041.00	2924 V