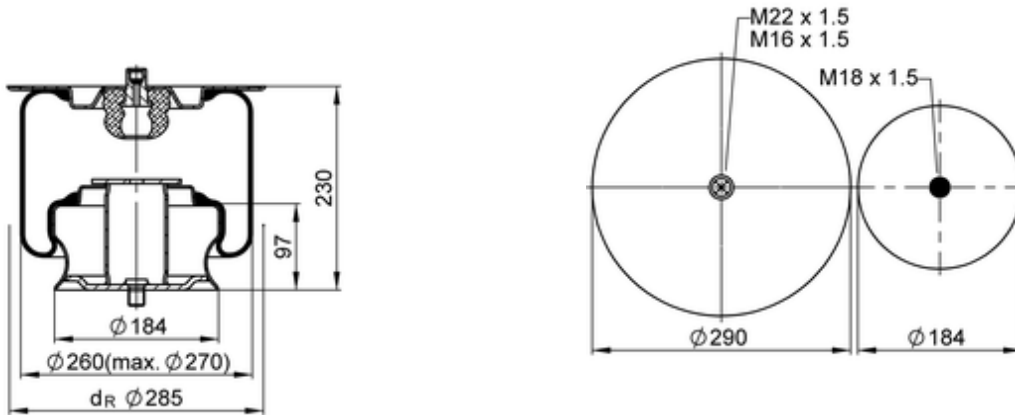


1924 N1 P05
60254


bolt or stud
 hole
 combination stud
 air inlet
 stud and nut

	7,4 kg
	K022
	M16x1.5: max. 80 Nm
	M18x1.5: max. 80 Nm
	M22x1.5: max. 120 Nm

OE Manufacturer/Part No.

Manufacturer	Original Part No.	Model
Heuliez	0001066001	
IRISBUS	5.010.347.891	Agora < 2002