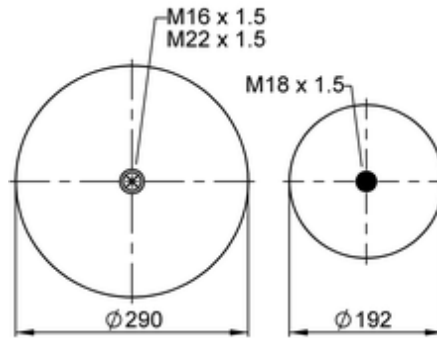
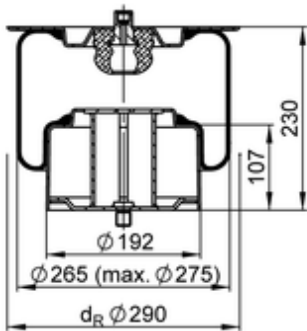


1415 N P01
62794


bolt or stud
 hole
 combination stud
 air inlet
 stud and nut

	7,8 kg
	K022
	M16x1.5: max. 20 Nm
	M18x1.5: max. 80 Nm
	M22x1.5: max. 40 Nm

OE Manufacturer/Part No.

Manufacturer	Original Part No.	Model
Heuliez	5 006 172 377B	
IRISBUS	5.006.172.377	Agora/Crystallis > 2004