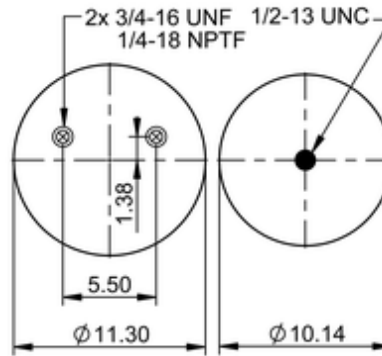
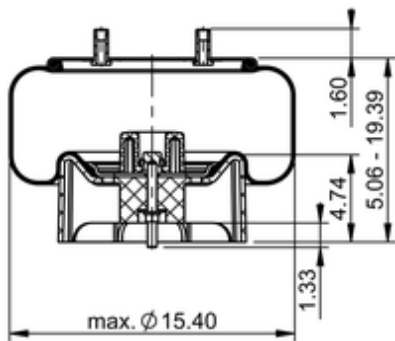


11 10.5F-17 P 745
65593


	17 lb
	9310179
	1/2-13 UNC: max. 35 lbf ft
	1/4-18 NPTF: max. 22 lbf ft
	3/4-16 UNF: max. 50 lbf ft

Cross-reference

Firestone Style	1T19LF-7
Firestone No.	W01-358-8774
FleetPride	AS8774
Goodyear	1R14-190
Goodyear	1R14-172
Goodyear Flex No.	566283042

Goodyear Flex No.	566283044
Triangle	AS-8745
TRP	AS87740
Automann	1DK28M-8774

OE Manufacturer/Part No.

Manufacturer	Original Part No.	Model
Watson & Chalin	AS-0159-1G	
Hendrickson	C-25873	
Watson & Chalin	AS-0159	