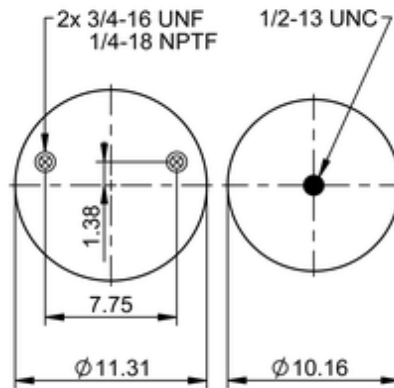
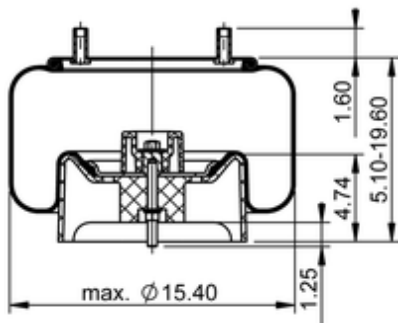


11 10.5F-17.5 P 800
65218


	16.8 lb
	9310179
	1/2-13 UNC: max. 35 lbf ft
	1/4-18 NPTF: max. 22 lbf ft
	3/4-16 UNF: max. 50 lbf ft

Cross-reference

Goodyear Flex No.	566283044
Automann	1DK28M-P800
GY Springride	1R14-183

OE Manufacturer/Part No.

Manufacturer	Original Part No.	Model
Watson & Chalin	AS-0144	