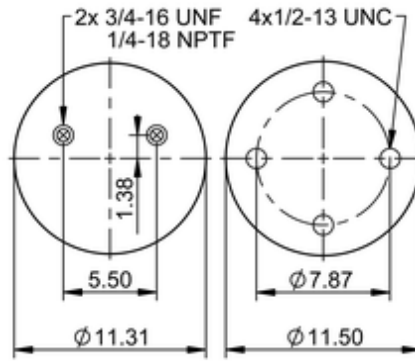
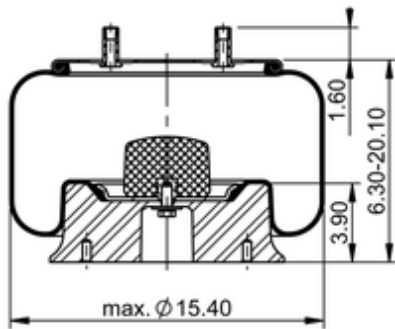


11 10.5E-18 A 213
69690


	20.1 lb
	9314352
	1/2-13 UNC: max. 35 lbf ft
	1/4-18 NPTF: max. 22 lbf ft
	3/4-16 UNF: max. 50 lbf ft

Cross-reference

TRP	AS02133
Automann	1DK28G-A213

OE Manufacturer/Part No.

Manufacturer	Original Part No.	Model
--------------	-------------------	-------

