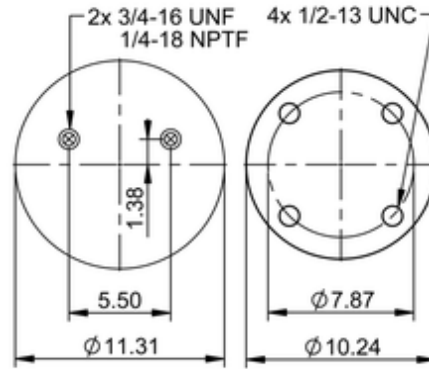
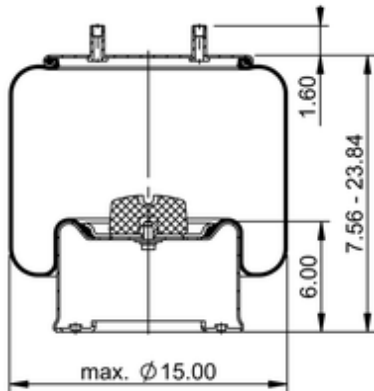


11 10.5D-21 S 1063
75269


	22.7 lb
	9316272
	1/2-13 UNC: max. 35 lbf ft
	1/4-18 NPTF: max. 22 lbf ft
	3/4-16 UNF: max. 50 lbf ft

Cross-reference

Goodyear	1R14-152
Triangle	AS-81063

OE Manufacturer/Part No.

Manufacturer	Original Part No.	Model
--------------	-------------------	-------

