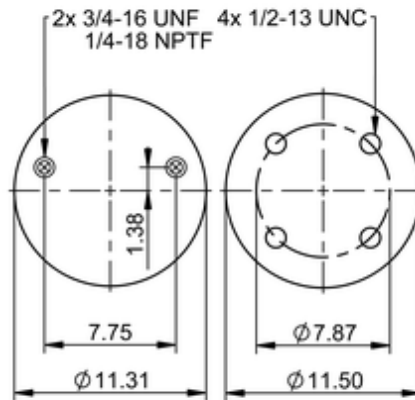
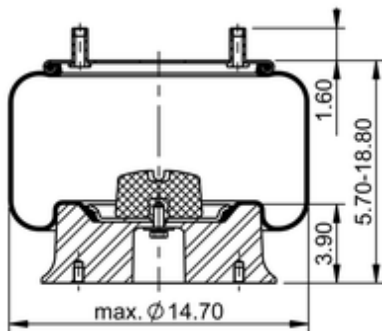


11 10.5CT-16 A 943
67442


| | |
|--|-----------------------------|
| | 21.5 lb |
| | 9314352 |
| | 1/2-13 UNC: max. 35 lbf ft |
| | 1/4-18 NPTF: max. 22 lbf ft |
| | 3/4-16 UNF: max. 50 lbf ft |

Cross-reference

| | |
|----------|-------------|
| Triangle | AS-8943 |
| Automann | 1DK28R-A943 |

OE Manufacturer/Part No.

| Manufacturer | Original Part No. | Model |
|--------------|-------------------|-------|
|--------------|-------------------|-------|

