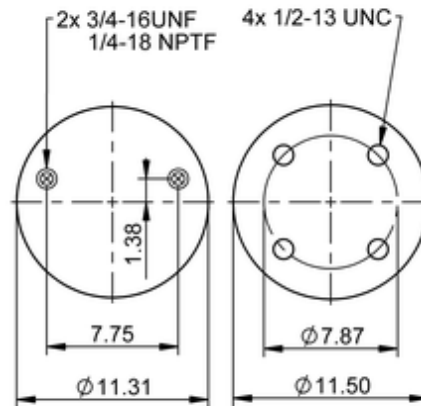
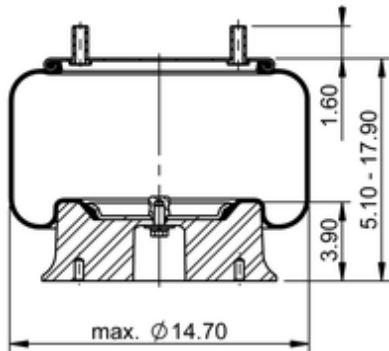


11 10.5C-16 A 706
64628


	20.5 lb
	9320165
	1/2-13 UNC: max. 35 lbf ft
	1/4-18 NPTF: max. 22 lbf ft
	3/4-16 UNF: max. 50 lbf ft

Cross-reference

Goodyear	1R14-198
Goodyear Flex No.	566283015
Automann	1DK28A-A706

OE Manufacturer/Part No.

Manufacturer	Original Part No.	Model
Watson & Chalin	AS-0180	