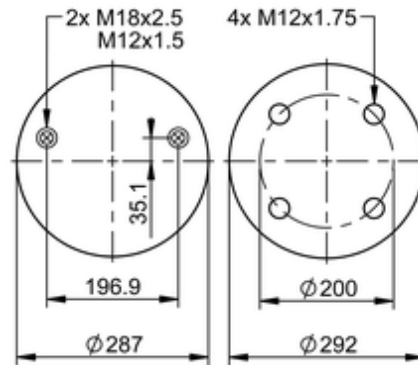
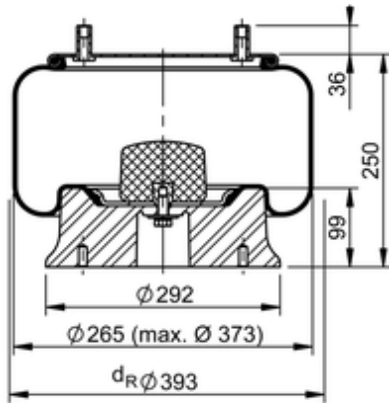


11 10.5C-16.5 A 019
67989


	19.4 lb
	9312708
	M12x1.5: max. 22 lbf ft
	M12x1.75: max. 35 lbf ft
	M18: max. 35 lbf ft

Cross-reference

Goodyear	556 0 2 8822
Goodyear Flex No.	556 28 3 015
Suspentech flex	ST 151K
Suspentech system	ST 151

OE Manufacturer/Part No.

Manufacturer	Original Part No.	Model
Hendrickson	B-4771	
HBZ	80006-01	
Pastre	16A782CT	