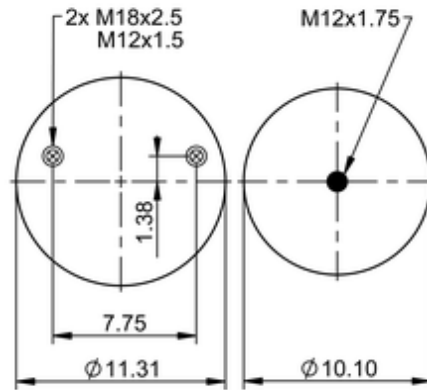
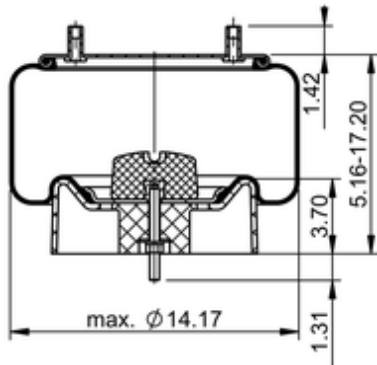


11 10.5A-16 P 1639

602075



	17 lb
	9312908
	M12x1.5: max. 18 lbf ft
	M12x1.75: max. 35 lbf ft
	M18: max. 50 lbf ft

OE Manufacturer/Part No.

Manufacturer	Original Part No.	Model
SUSPENSSYS	100000176552	

