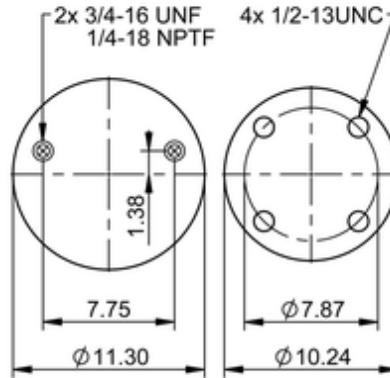
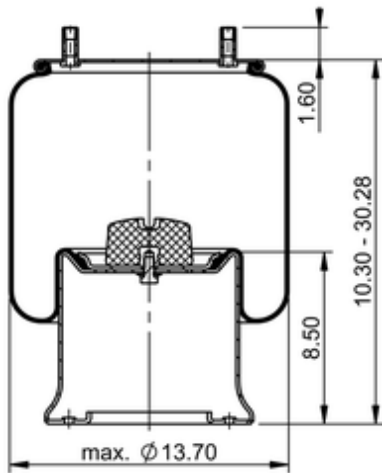


11 10.5-24 S 712
64637


	31.1 lb
	9310291
	1/2-13 UNC: max. 35 lbf ft
	1/4-18 NPTF: max. 22 lbf ft
	3/4-16 UNF: max. 50 lbf ft

Cross-reference

Firestone Style	1T19L-14
Firestone No.	W01-358-9264
FleetPride	AS9264
Goodyear	1R14-127
Goodyear Flex No.	566283031
Triangle	AS-8712

Automann

1DK28F-9264

OE Manufacturer/Part No.

Manufacturer	Original Part No.	Model
Ridewell	1000002	
Hendrickson	S-13122	