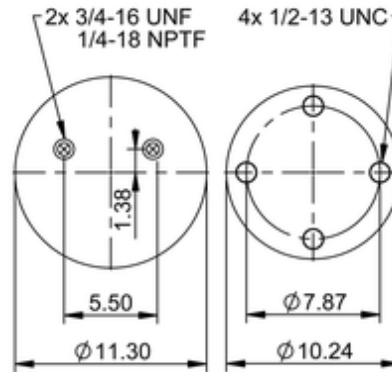
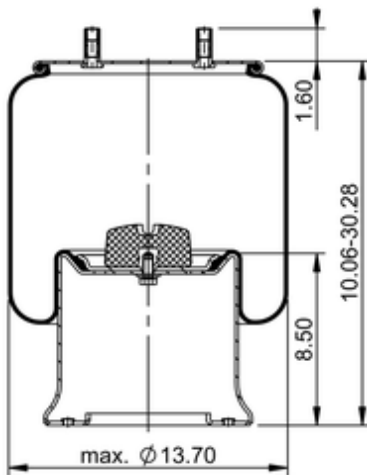


**11 10.5-24 S 1200**
**75464**


	31.1 lb
	9310291
	1/2-13 UNC: max. 35 lbf ft
	1/4-18 NPTF: max. 22 lbf ft
	3/4-16 UNF: max. 50 lbf ft

**Cross-reference**

Goodyear	1R14-148
Goodyear	1R14-236
Goodyear Flex No.	566283057
Triangle	AS-81200
TRP	AS12003

**OE Manufacturer/Part No.**

<b>Manufacturer</b>	<b>Original Part No.</b>	<b>Model</b>
Hendrickson	C-24446	
Watson & Chalin	AS-0246	