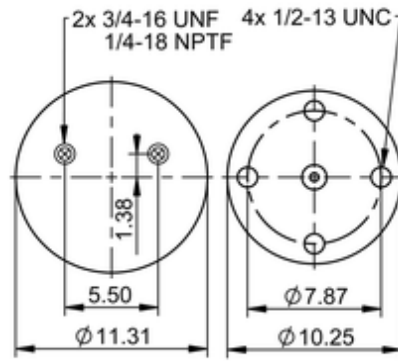
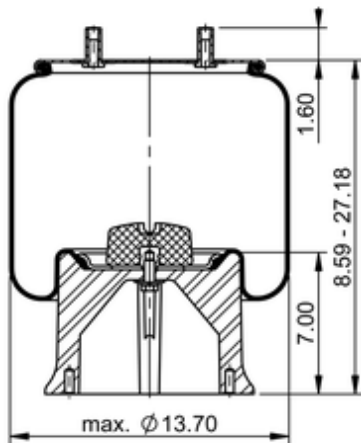


11 10.5-22 A 856
66085


	22.3 lb
	9305215
	1/2-13 UNC: max. 35 lbf ft
	1/4-18 NPTF: max. 22 lbf ft
	3/4-16 UNF: max. 50 lbf ft

Cross-reference

Triangle	AS-8856
Automann	1DK28F-A856

OE Manufacturer/Part No.

Manufacturer	Original Part No.	Model
--------------	-------------------	-------

