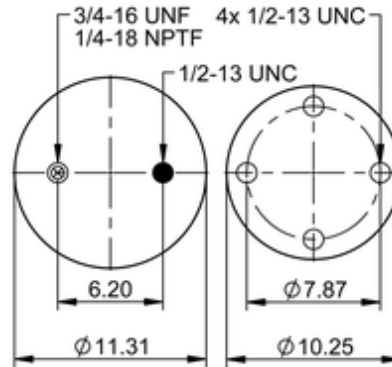
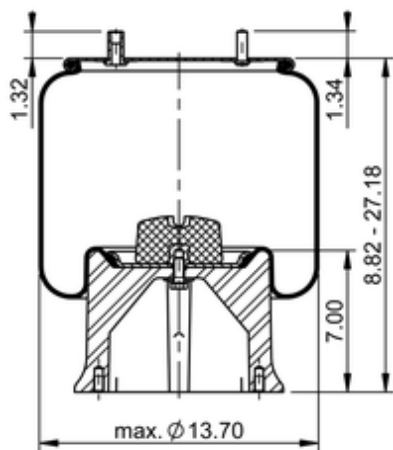


11 10.5-22 A 752
64690


	22 lb
	9305215
	1/2-13 UNC: max. 35 lbf ft
	1/4-18 NPTF: max. 22 lbf ft
	3/4-16 UNF: max. 50 lbf ft

Cross-reference

Firestone No.	W01-358-5514
Goodyear	1R14-170
Goodyear Flex No.	566283020
Triangle	AS-8752
TRP	AS55031
Automann	1DK28F-A752

OE Manufacturer/Part No.

Manufacturer	Original Part No.	Model
Watson & Chalin	AS-0047-1G	
Watson & Chalin	AS-0047-G	