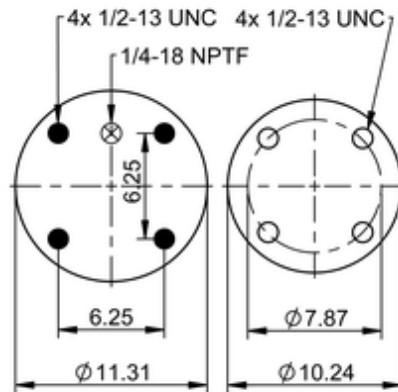
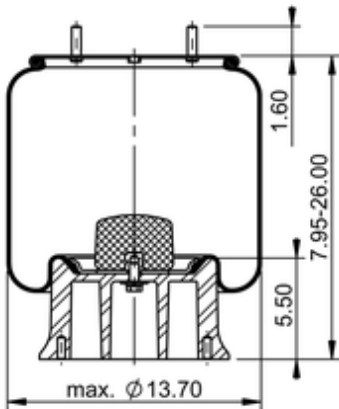






11 10.5-21 A 219

69746



	22.5 lb
	9305216
	1/2-13 UNC: max. 35 lbf ft
	1/4-18 NPTF: max. 18 lbf ft

### Cross-reference

Firestone No.	W01-358-9201
Automann	1D28C-9201

### OE Manufacturer/Part No.

Manufacturer	Original Part No.	Model
--------------	-------------------	-------

