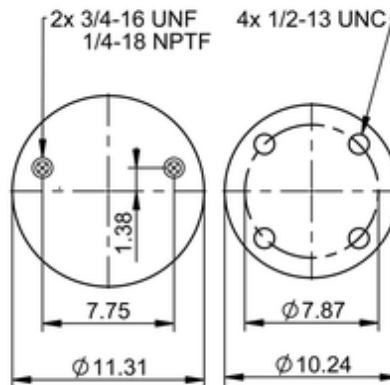
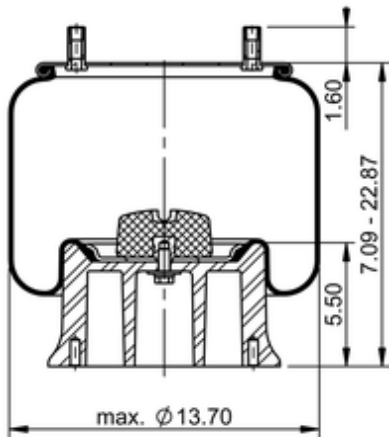


11 10.5-19 A 960
67547


	22.7 lb
	9305216
	1/2-13 UNC: max. 35 lbf ft
	1/4-18 NPTF: max. 22 lbf ft
	3/4-16 UNF: max. 50 lbf ft

Cross-reference

Firestone Style	1T19L-11
Firestone No.	W01-358-9804
Goodyear	1R14-151
Goodyear Flex No.	566283020
TRP	AS98040
Automann	1DK28B-A960

OE Manufacturer/Part No.

Manufacturer	Original Part No.	Model
Ridewell	1000006	
Watson & Chalin	AS-01621G	