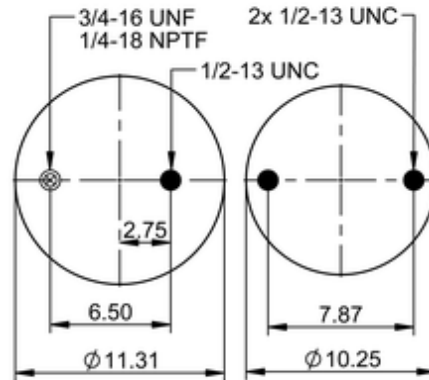
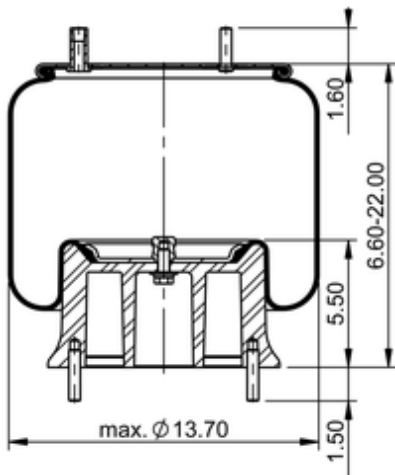







11 10.5-17 A 170

78165



	20.1 lb
	9305216
	1/2-13 UNC: max. 35 lbf ft
	1/4-18 NPTF: max. 22 lbf ft
	3/4-16 UNF: max. 50 lbf ft

### Cross-reference

TRP	AS01703
Automann	1D28G-A170

### OE Manufacturer/Part No.

Manufacturer	Original Part No.	Model
--------------	-------------------	-------

