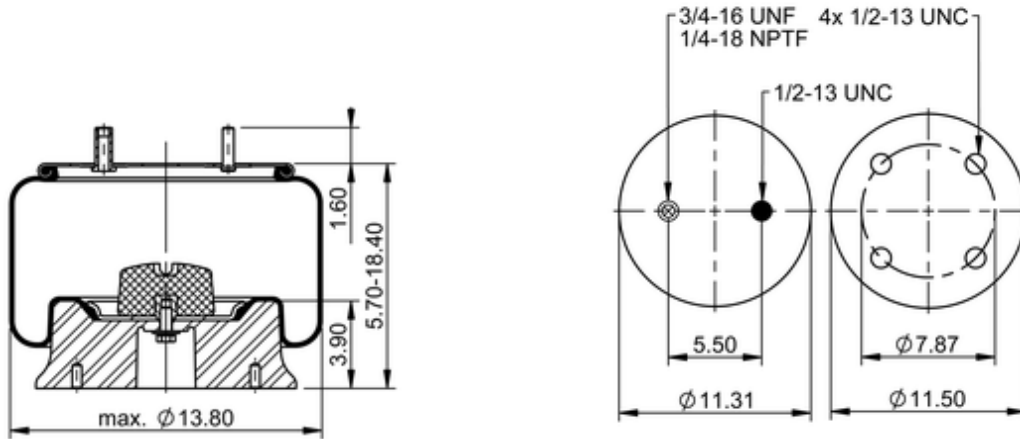







11 10.5-16.5 A 751

64689



 lb	21.2 lb
	9314352
	1/2-13 UNC: max. 35 lbf ft
	1/4-18 NPTF: max. 22 lbf ft
	3/4-16 UNF: max. 50 lbf ft

### Cross-reference

Triangle	AS-8751
Automann	1DK28L-A751

### OE Manufacturer/Part No.

Manufacturer	Original Part No.	Model
--------------	-------------------	-------

