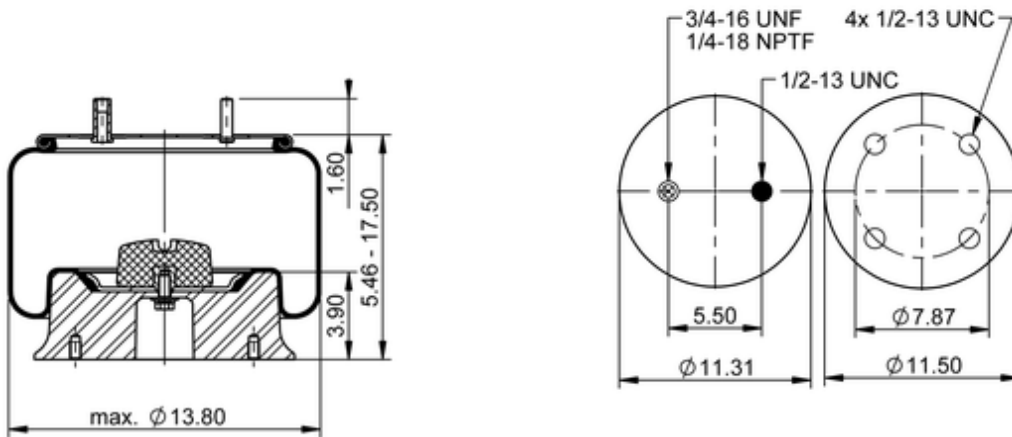







11 10.5-15 A 1141

74766



	20 lb
	9320165
	1/2-13 UNC: max. 35 lbf ft
	1/4-18 NPTF: max. 22 lbf ft
	3/4-16 UNF: max. 50 lbf ft

### Cross-reference

Firestone Style	1T19F-5
Firestone No.	W01-W35-9236

### OE Manufacturer/Part No.

Manufacturer	Original Part No.	Model
--------------	-------------------	-------

