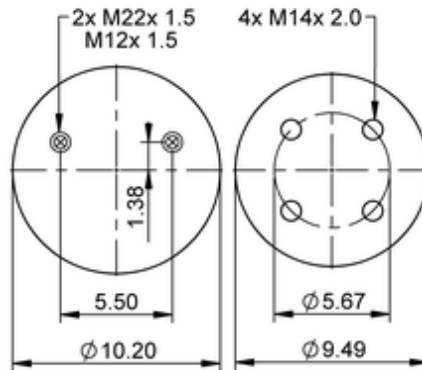
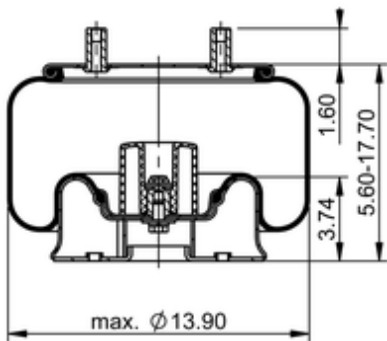


**10 10K-14 S 1024**
**78241**


	19 lb
	9315841
	M12x1.5: max. 22 lbf ft
	M22x1.5: max. 50 lbf ft

**OE Manufacturer/Part No.**

Manufacturer	Original Part No.	Model
Hendrickson	C-33001	