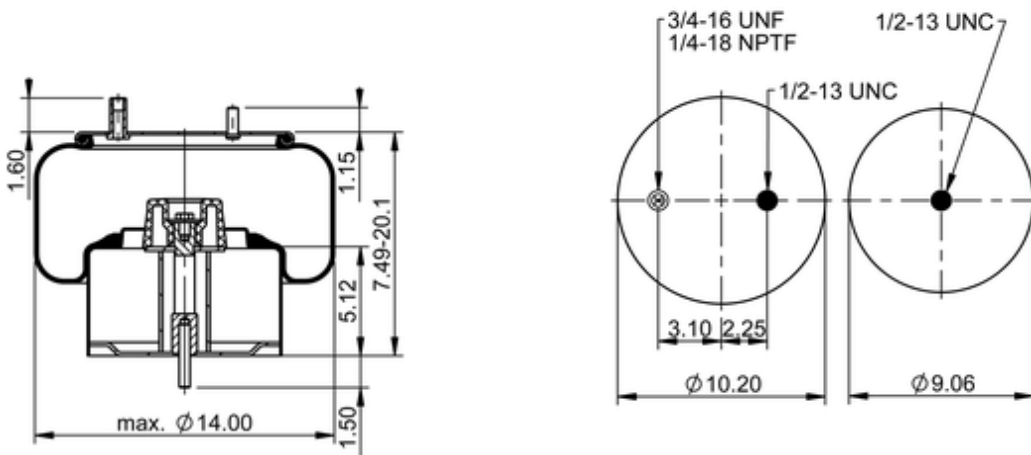







**10 10BS-14 S 1124**

**78244**



	22 lb
	9317376
	1/2-13 UNC: max. 35 lbf ft
	1/4-18 NPTF: max. 22 lbf ft
	3/4-16 UNF: max. 50 lbf ft

**OE Manufacturer/Part No.**

Manufacturer	Original Part No.	Model
Hendrickson	013677	

