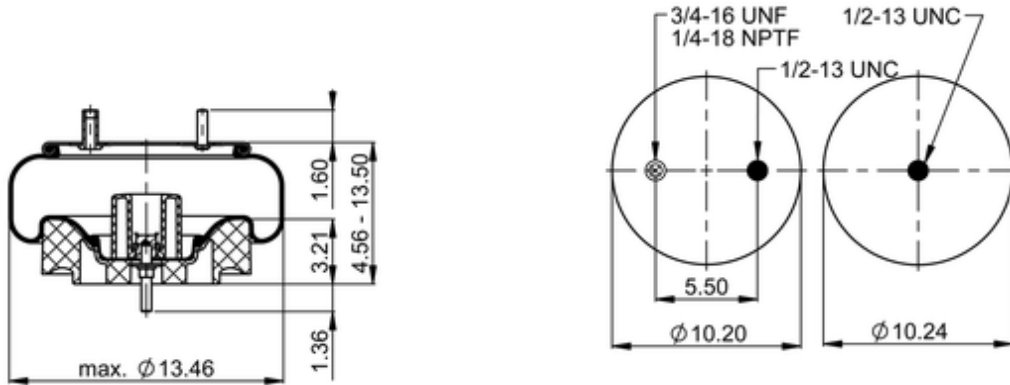


10 10A-12 P 1330
77963


	12.7 lb
	9317517
	1/2-13 UNC: max. 35 lbf ft
	1/4-18 NPTF: max. 22 lbf ft
	3/4-16 UNF: max. 50 lbf ft

Cross-reference

Primeride	AS PR10BL12 8729
Firestone Style	1T17CD-3
Firestone No.	W01-358-8729
Goodyear	1R13-130
Goodyear Flex No.	566263055
Road Choice	AS8729

OE Manufacturer/Part No.

Manufacturer	Original Part No.	Model
Silent Drive	AS87290	
Meritor	A2258E1461	
Connect Air Springs	198729	
Meritor	A2258F1410	
Suspensions, Inc.	202796	
Meritor	202796	