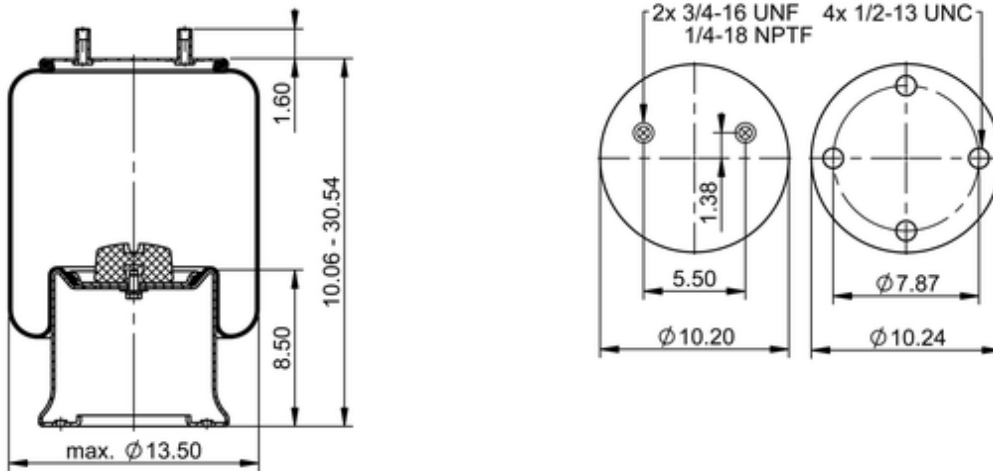







10 10.5V-24 S 1060

73913



	30.6 lb
	9310291
	1/2-13 UNC: max. 35 lbf ft
	1/4-18 NPTF: max. 22 lbf ft
	3/4-16 UNF: max. 50 lbf ft

Cross-reference

Goodyear	1R13-172
Goodyear	1R13-235
Triangle	AS-81060

OE Manufacturer/Part No.

Manufacturer	Original Part No.	Model
Hendrickson	C-25872	