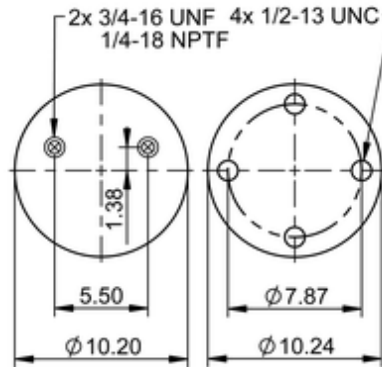
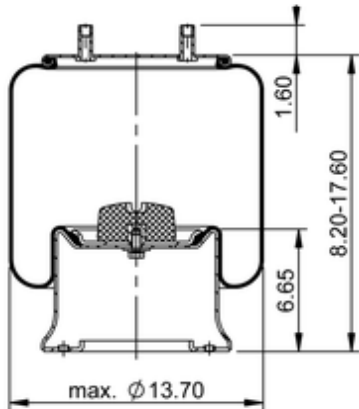







10 10.5V-22 S 1179

75268



	27.8 lb
	9317652
	1/2-13 UNC: max. 35 lbf ft
	1/4-18 NPTF: max. 22 lbf ft
	3/4-16 UNF: max. 50 lbf ft

### Cross-reference

Goodyear	1R13-171
Goodyear	1R13-237
Goodyear Flex No.	566263097
Triangle	AS-81179
Automann	1DK28V-1-S1179

**OE Manufacturer/Part No.**

<b>Manufacturer</b>	<b>Original Part No.</b>	<b>Model</b>
Hendrickson	C-25871	