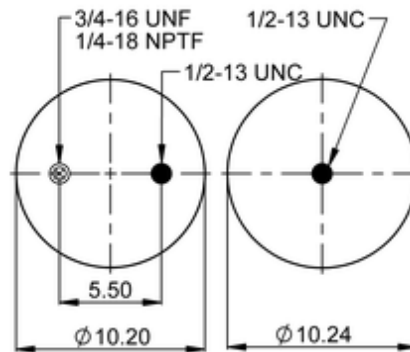
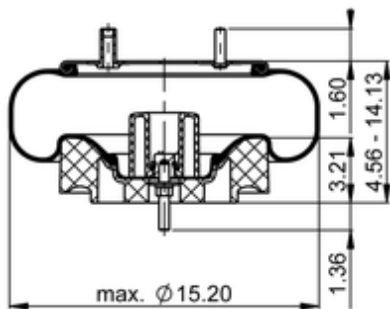


10 10.5C-13 P 1226
75741


	15.2 lb
	10 10.5AV-12 P 513
	9317517
	1/2-13 UNC: max. 35 lbf ft
	1/4-18 NPTF: max. 22 lbf ft
	3/4-16 UNF: max. 50 lbf ft

Cross-reference

Primeride	AS PR10CN13 8617
Firestone Style	1T17BB-2
Firestone No.	W01-358-8617
Triangle	AS-81226

TRP	AS86170
Road Choice	AS8729

OE Manufacturer/Part No.

Manufacturer	Original Part No.	Model
Meritor	A2258E1461	