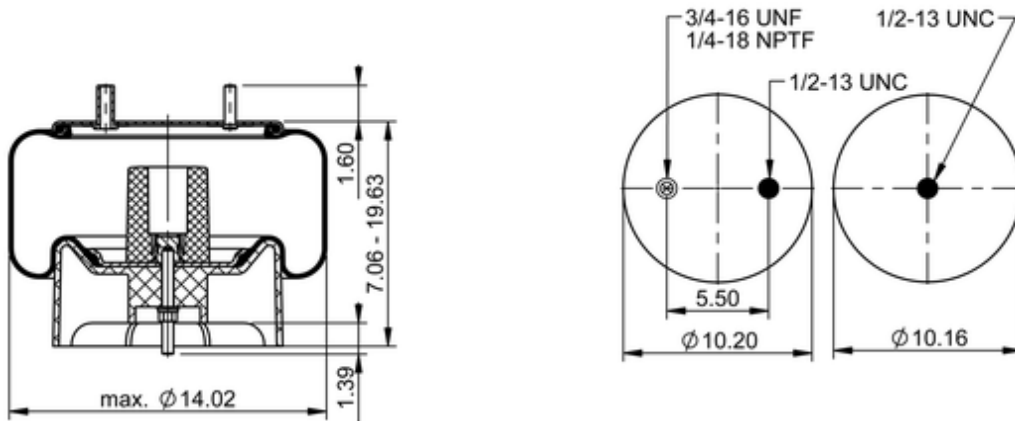


**10 10.5AV-16 P 1219**
**78239**


	14.6 lb
	70111
	9310179
	1/2-13 UNC: max. 35 lbf ft
	1/4-18 NPTF: max. 22 lbf ft
	3/4-16 UNF: max. 50 lbf ft

**Cross-reference**

Firestone No.	W01-358-8539
Goodyear	1R13-188
Goodyear Flex No.	566263078
Triangle	AS-81219

TRP	AS85390
Automann	1DK28U1-8539

**OE Manufacturer/Part No.**

<b>Manufacturer</b>	<b>Original Part No.</b>	<b>Model</b>
DANA/SPICER	SR1VA101-1	
DANA/SPICER	SR1JA100	
DANA/SPICER	SR1VA105	
Hendrickson	S-29892	
Dayton	352-9082	