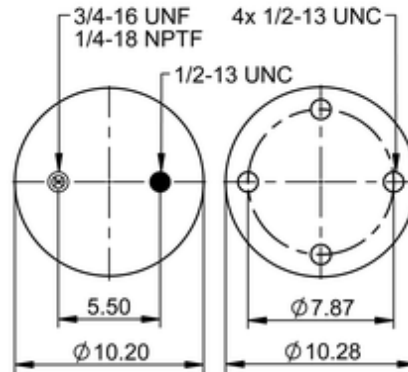
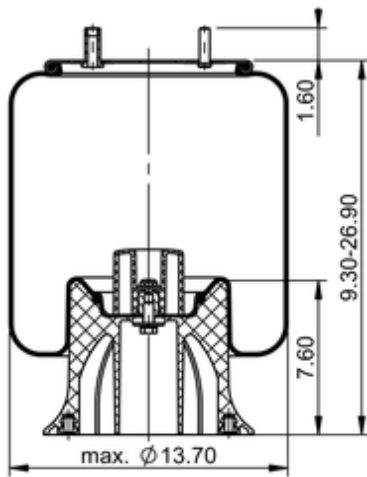







10 10-21 P 949

67507



	16.4 lb
	9308129
	1/2-13 UNC: max. 35 lbf ft
	1/4-18 NPTF: max. 22 lbf ft
	3/4-16 UNF: max. 50 lbf ft

Cross-reference

Triangle	AS-8949
TRP	ASP9490
Automann	1DK25C-P949

OE Manufacturer/Part No.

Manufacturer	Original Part No.	Model
SAF Holland	90557370	