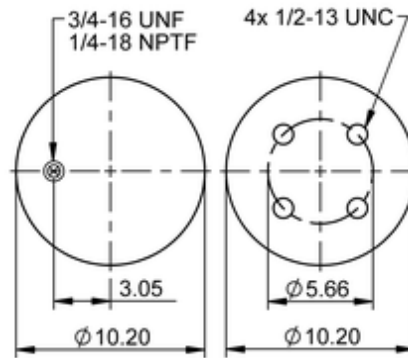
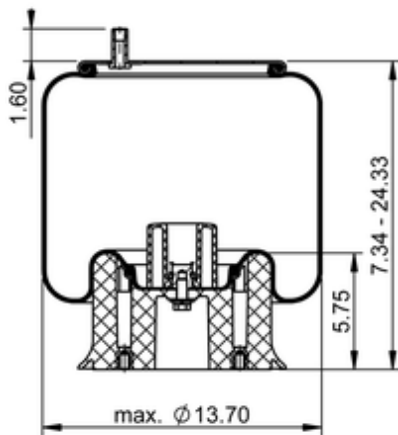


10 10-21 P 015
67951


	15.2 lb
	9317377
	1/2-13 UNC: max. 35 lbf ft
	1/4-18 NPTF: max. 22 lbf ft
	3/4-16 UNF: max. 50 lbf ft

Cross-reference

Firestone Style	1T17CL-9.5
Firestone No.	W01-358-9581
FleetPride	AS9581
Triangle	AS-8015
TRP	AS95810
Automann	1DK25C-9581

OE Manufacturer/Part No.

Manufacturer	Original Part No.	Model
Hendrickson	S-20414	