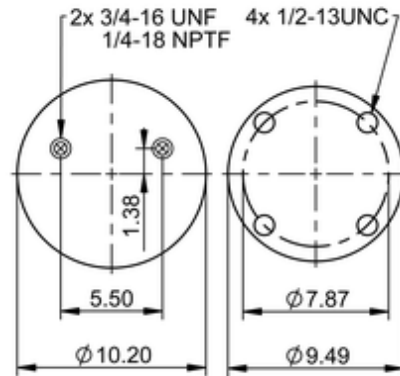
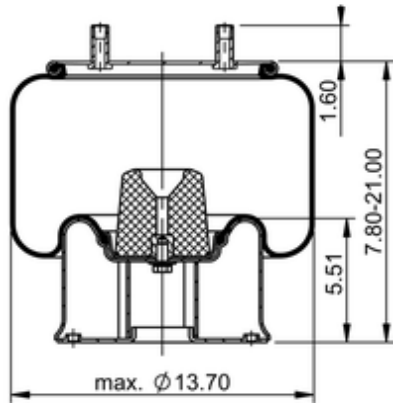







10 10-16.5 S 854

66083



	23.1 lb
	9312770
	1/2-13 UNC: max. 35 lbf ft
	1/4-18 NPTF: max. 18 lbf ft
	3/4-16 UNF: max. 50 lbf ft

Cross-reference

Automann	1DK25E-S854
----------	-------------

OE Manufacturer/Part No.

Manufacturer	Original Part No.	Model
Watson & Chalin	AS-0219	

