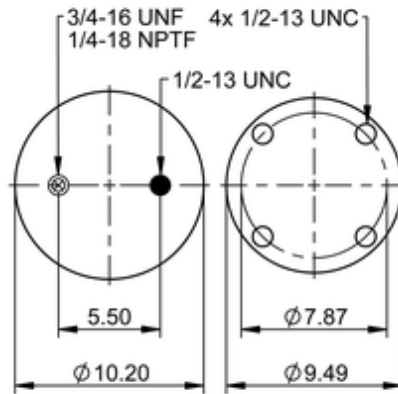
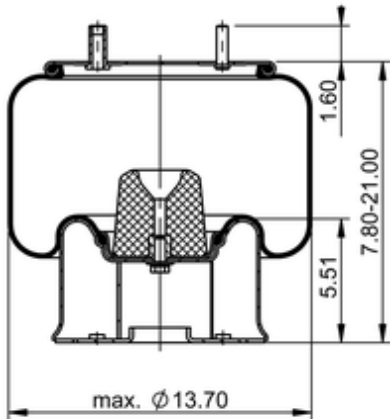


10 10-16.5 S 783
64746


	23.4 lb
	9312770
	1/2-13 UNC: max. 35 lbf ft
	1/4-18 NPTF: max. 22 lbf ft
	3/4-16 UNF: max. 50 lbf ft

Cross-reference

Goodyear	1R13-039
Goodyear Flex No.	566263051
Automann	1DK25E-S783

OE Manufacturer/Part No.

Manufacturer	Original Part No.	Model
Watson & Chalin	AS-0013	