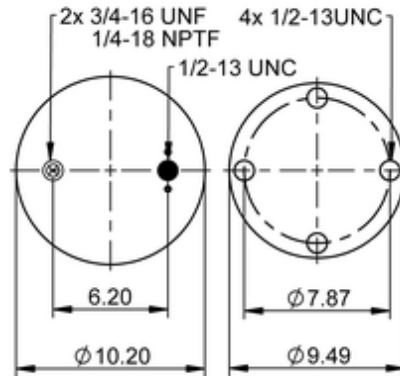
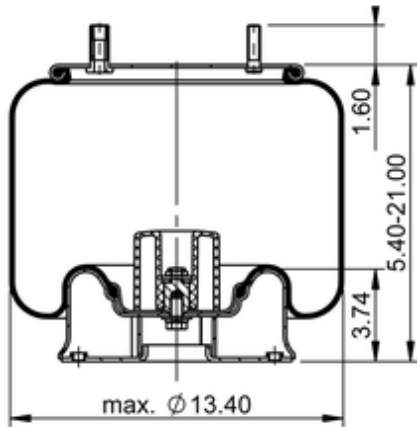







10 10-16.5 S 262

70010



	19.4 lb
	9311827
	1/2-13 UNC: max. 35 lbf ft
	1/4-18 NPTF: max. 22 lbf ft
	3/4-16 UNF: max. 50 lbf ft

Cross-reference

Firestone Style	1T17C-6.5
Firestone No.	W01-358-8735
Automann	1DK25B-8735

OE Manufacturer/Part No.

Manufacturer	Original Part No.	Model
Granning	7901	
Granning	700029-01	