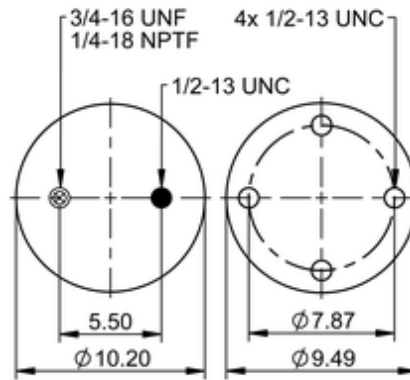
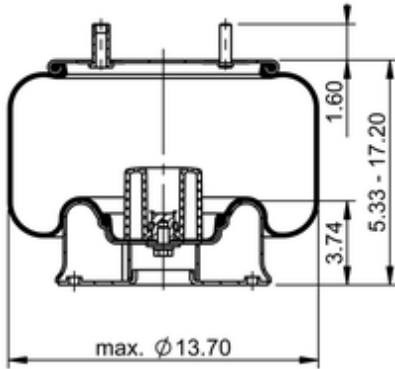


10 10-15 S 962
67600


	19.6 lb
	9311827
	1/2-13 UNC: max. 35 lbf ft
	1/4-18 NPTF: max. 22 lbf ft
	3/4-16 UNF: max. 50 lbf ft

Cross-reference

Firestone Style	1T17B-5
Firestone No.	W01-358-8723
FleetPride	AS8723
Goodyear	1R13-097
Goodyear	1R13-087
Goodyear Flex No.	566263081

Triangle	AS-8962
TRP	AS87230
Automann	1DK25B-8723

OE Manufacturer/Part No.

Manufacturer	Original Part No.	Model
Ridewell	1001R13-087	
Ridewell	1001R13-097	
Hendrickson	698132	