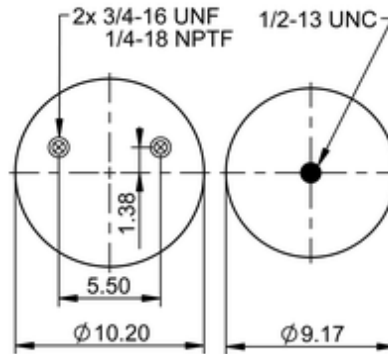
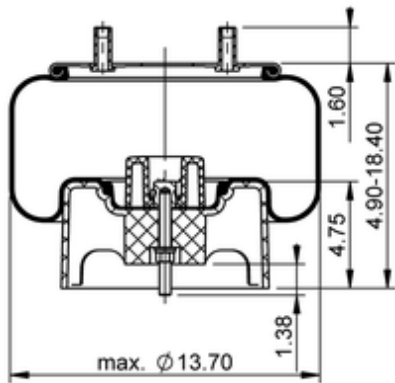


**10 10-15 P 453**
**64624**


	13.3 lb
	9310704
	1/2-13 UNC: max. 35 lbf ft
	1/4-18 NPTF: max. 22 lbf ft
	3/4-16 UNF: max. 50 lbf ft

**Cross-reference**

Firestone Style	1T17B-5
Firestone No.	W01-358-8751
FleetPride	AS8751
Triangle	AS-8453
TRP	AS87510
Automann	1DK25B-8751

**OE Manufacturer/Part No.**

<b>Manufacturer</b>	<b>Original Part No.</b>	<b>Model</b>
Hendrickson	S-20900	