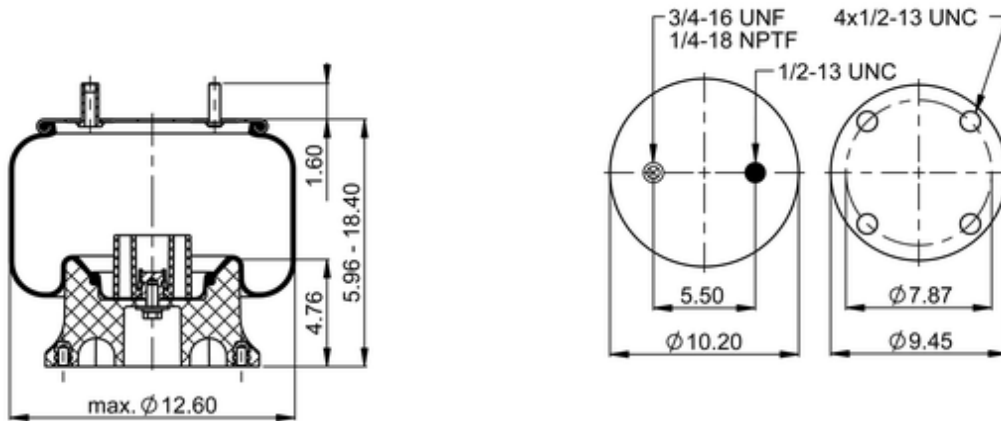







10 10-15 P 1140

74765



	12.9 lb
	9308301
	1/2-13 UNC: max. 35 lbf ft
	1/4-18 NPTF: max. 22 lbf ft
	3/4-16 UNF: max. 50 lbf ft

Cross-reference

Firestone Style	1T17B-5
Firestone No.	W01-W35-8754
Goodyear	1R13-053
Goodyear Flex No.	566263051

OE Manufacturer/Part No.

Manufacturer	Original Part No.	Model
New Flyer	000013	